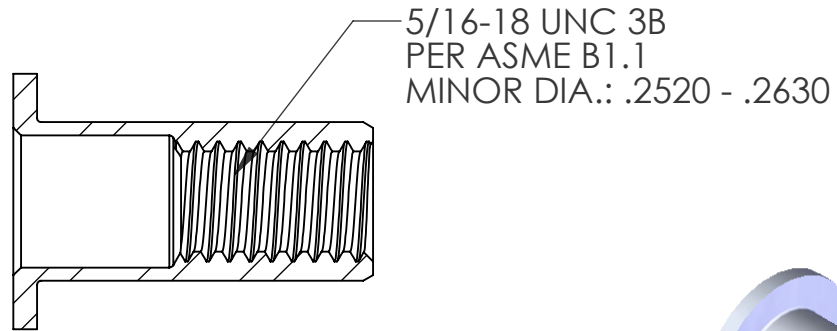
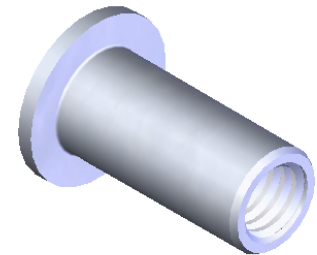


| REVISIONS |                          |         |      |
|-----------|--------------------------|---------|------|
| REV.      | DESCRIPTION              | DATE    | ECN  |
| A         | INITIAL RELEASE          | 5/8/09  | 1179 |
| B         | UPDATE TO CURRENT FORMAT | 7/28/10 | 1341 |



SECTION A-A



NOTE:

- GRIP RANGE: .125 - .200
- HOLE SIZE: .413 +.010/-.000 AFTER ALL APPLIED FINISHES.
- INSTALLED LENGTH: .555 REF.
- LUBRICATION: NONE
- INSTALLATION TOOL: SPIN-PULL

**PROPRIETARY AND CONFIDENTIAL**

THIS DRAWING, AND THE INFORMATION CONTAINED HEREIN, ARE THE PROPERTY OF SHEREX AND ARE NOT TO BE USED IN ANY MANNER DETRIMENTAL TO THE INTEREST OF THE COMPANY.  
SHEREX SOLUTIONS RESERVES THE RIGHT TO REVISE PART/DRAWING WITHOUT NOTICE.

|             |         |  |                         |            |
|-------------|---------|--|-------------------------|------------|
|             |         | UNLESS OTHERWISE SPECIFIED:  | NAME                    | DATE       |
|             |         | DIMENSIONS ARE IN INCHES<br>TOLERANCES:<br>ANGULAR: MACH ± 1 BEND ± 1<br>TWO PLACE DECIMAL ± .01<br>THREE PLACE DECIMAL ± .002 | DRAWN                   | TWR 5/8/09 |
|             |         | INTERPRET GEOMETRIC<br>TOLERANCING PER:<br>ASME Y14.5M-1994  | CHECKED                 |            |
|             |         | MATERIAL   | ENG APPR.               | JVK 5/8/09 |
|             |         | 430 STAINLESS  | MFG APPR.               |            |
|             |         | FINISH   | Q.A.                    | JVK 5/8/09 |
|             |         | PASSIVATED   | COMMENTS:               |            |
| NEXT ASSY   | USED ON |  | E-mail: info@sherex.com |            |
|             |         |  | www.sherex.com          |            |
|             |         |  | Phone: 866-474-3739     |            |
|             |         |  | Fax: 716-875-0358       |            |
| APPLICATION |         | DO NOT SCALE DRAWING   |                         |            |

|                        |            |              |
|------------------------|------------|--------------|
|                        |            |              |
| TITLE:                 |            |              |
| FLAT HEAD OPEN END     |            |              |
| SIZE DWG. NO.          | REV        |              |
| <b>A</b> CA-3118SS-200 | <b>B</b>   |              |
| SCALE: 2:1             | WEIGHT: kg | SHEET 1 OF 1 |